

# AS-156

Welding Machine for  
E-PACK Bags

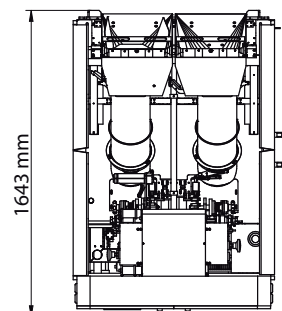
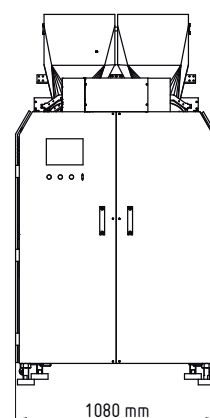
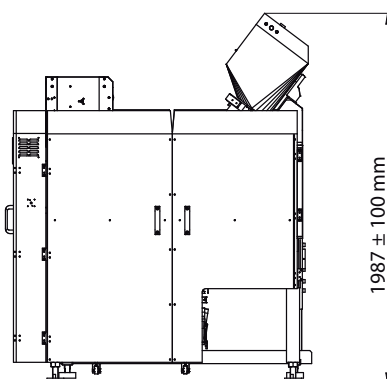
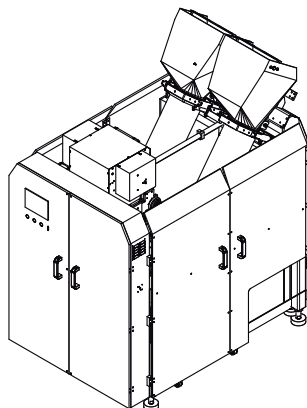


- › Production up to 40 bags per minute.
- › Bag weight from 0.5Kg up to 2Kg.
- › Ethernet connection for remote diagnostics.
- › Thermo-Transfer printer included.
- › Designed to make the lightest net bags in the market, with 100% recyclable netting and film.
- › The netting tube can hold 400 meters of netting, allowing production of up to 1000 packages per load.



## › ATTACHED INFORMATION

WEIGHT	690	Kg
WIDTH	1080	mm
HEIGHT	1987	mm
LENGTH	1643	mm
AIR CONSUMPTION	1000	l/min
AIR PRESSURE	7	bars
ELECTRICAL POWER	3,5	Kw
INPUT VOLTAGE	220/380/415	V



Simple

Elegant

Ergonomic

Ecological

Environmental Sustainability

The AS-156 makes the exclusive E-Pack bag.

The E-Pack reduces the amount of plastic used to package fresh produce. It is a heat-sealed bag made of highly resistant light knitted netting and printed film.

E-Pack is a heat-welded bag made of 100% recyclable materials

100% RECYCLABLE MATERIALS

ABLE TO WORK WITH COMPOSTABLE MATERIALS

100% POLYETHYLENE

ECONOMIC

ECOLOGIC

THE LIGHTEST



E-Pack is the ideal fresh-produce bag; it is light, simple, elegant, ergonomic, ecological and promotes environmental sustainability efforts. DAUMAR has succeeded in utilizing only PE in the new E-Pack, offering greater results in:

- › Reduction of material costs
- › Reduction in production costs
- › Environmental impact
- › Lightness

The E-Pack is the result of DAUMAR's investment in research and development in fresh produce packaging. The E-Pack is an attractive package having an ergonomic handle "easy to grab and carry" which is also a large area for promotional information.

E-Pack stands out as having a large promotional band using a minimum of materials, giving it greater point-of-sale value.



		PP + PE			PE 100%	
Product Weight (kg)	Film Printing	Package Weight (g)	% PP	% PE	Film Printing	Package Weight (g)
0,5	Mate or Shine	2,2	13	87	Mate	2,5
1	Mate or Shine	2,6	10	90	Mate	2,9
1,5	Mate or Shine	2,9	9	91	Mate	3,2
2	Mate or Shine	3,2	8	92	Mate	3,5



Lluís Companys, 13 - 15  
08339 Vilassar de Dalt,  
Barcelona, España

Tel. +34 937 509 431  
www.daumar.com  
sales@daumar.com

# e pack

AS-156

The lightest bag in  
the Market

100% Recyclable

